

# eskabe

## TITANIO

### New Gas Room Heaters Titanio Series Direct Vent Wall Furnaces

2000, 3000 and 5000 kcal/h  
(8000, 12000 and 20000 Btu/h)

### Vent Free Heaters (Miniconvex models)

3000, 5000 and 8000 kcal/h  
(12000, 20000 and 32000 Btu/h)



Injected aluminium grille alloyed with

# TITANIUM



UNIQUE AND EXCLUSIVE  
HEAT OUTPUT SYSTEM

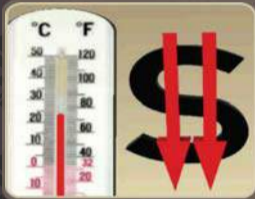
### C3D

HEAT IN THREE  
DIRECTIONS



ELECTRONIC IGNITION  
It always turns on!

Fitted with Electronic Ignition, it allows turning on the heater instantly and safely. It always turns on.



THERMOSTAT  
It saves gas, a lot of gas!

Its Thermostat, calibrated degree by degree, controls room temperature with accuracy. When reaching the ideal room temperature, it is kept constant. It Saves Gas. A LOT OF GAS.



ROOM AROMATIZER

Room Aromatizer. In a small compartment, water is added with some drops of the preferred essence, perfuming the room for hours.



SLEEP: SMOOTH SLEEP

Sleep Function. A feature included in Direct Vent heaters, ensures a safer and more silent sleep.



## SPECIFICATIONS AND DIMENSIONS

Heater type	Model	Input Power *	Heating Capacity up to
Direct Vent	TT TB 2 TE	2000 kcal/h 8000 Btu/h	18 m <sup>2</sup> (194 ft <sup>2</sup> )
Vent Free (Miniconvex)	TT MX 3 TE	3000 kcal/h 12000 Btu/h	33 m <sup>2</sup> (335 ft <sup>2</sup> )

\*Input Powers may vary to conform with different national standards.



Heater type	Model	Input Power *	Heating Capacity up to
Direct Vent	TT TB 3 TE / TBU 3 TE	3000 kcal/h 12000 Btu/h	28 m <sup>2</sup> (301 ft <sup>2</sup> )
Vent Free (Miniconvex)	TT MX 5 TE	5000 kcal/h 20000 Btu/h	55 m <sup>2</sup> (592 ft <sup>2</sup> )

\*Input Powers may vary to conform with different national standards.



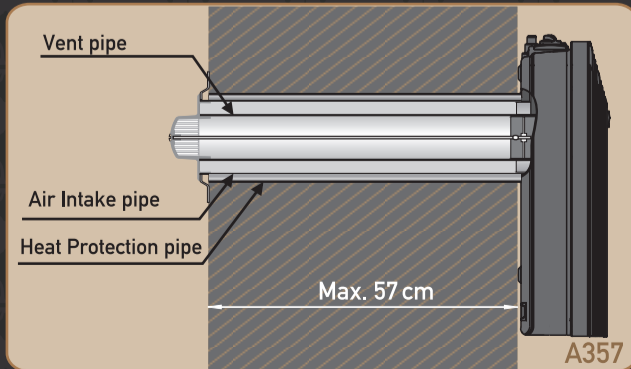
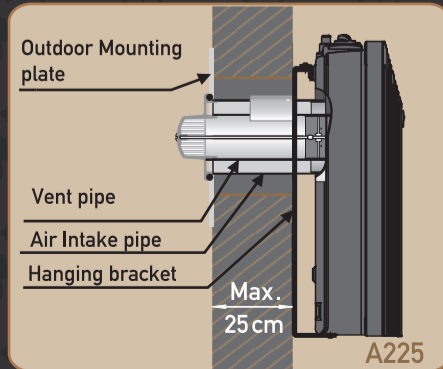
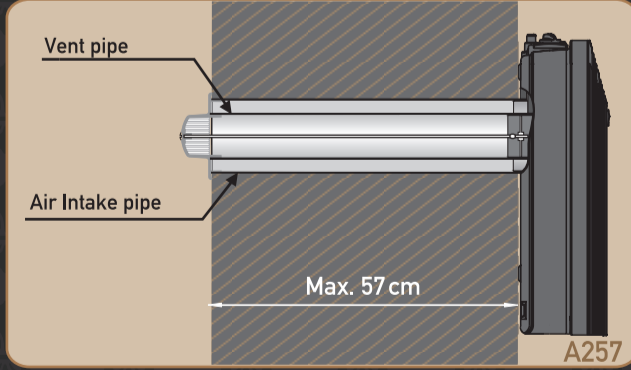
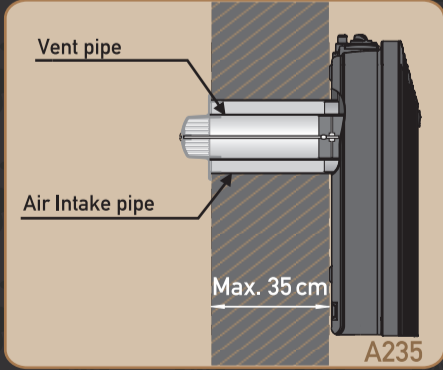
Heater type	Model	Input Power *	Heating Capacity up to
Direct Vent	TT TB 5 TE / TBU 5 TE	5000 kcal/h 20000 Btu/h	46 m <sup>2</sup> (495 ft <sup>2</sup> )
Vent Free (Miniconvex)	TT MX 8 **	8000 kcal/h 32000 Btu/h	88 m <sup>2</sup> (947 ft <sup>2</sup> )

\*Input Powers may vary to conform with different national standards.  
\*\* TT MX 8 model: without thermostat.



## VENTING SYSTEM OPTIONS

There are 4 options of Venting System to conform with different national or local codes and with various building materials and wall thickness.



ESKABE S.A

ISO 9001-2008 IRAM-R 9000-365

HEADQUARTERS

Dr. Nicolás Repetto 1545  
(C1416CLI) C.A. de Buenos Aires  
Tel: (54 11) 4588-4200  
Fax (54 11) 4588-4218

www.eskabe.com.ar

INDUSTRIAL PLANT

Ruta Nacional 2 N° 323  
(7600) Mar del Plata  
Tel: (54 223) 478-8914  
Fax: (54 223) 472-1487

# eskabe

## TITANIO